



# Schrauben spare parts

20-01-C

## Key components from stock

# SPARE PARTS SUPPLIER

## SCHRAVEN CHOOSES THE HIGHEST QUALITY

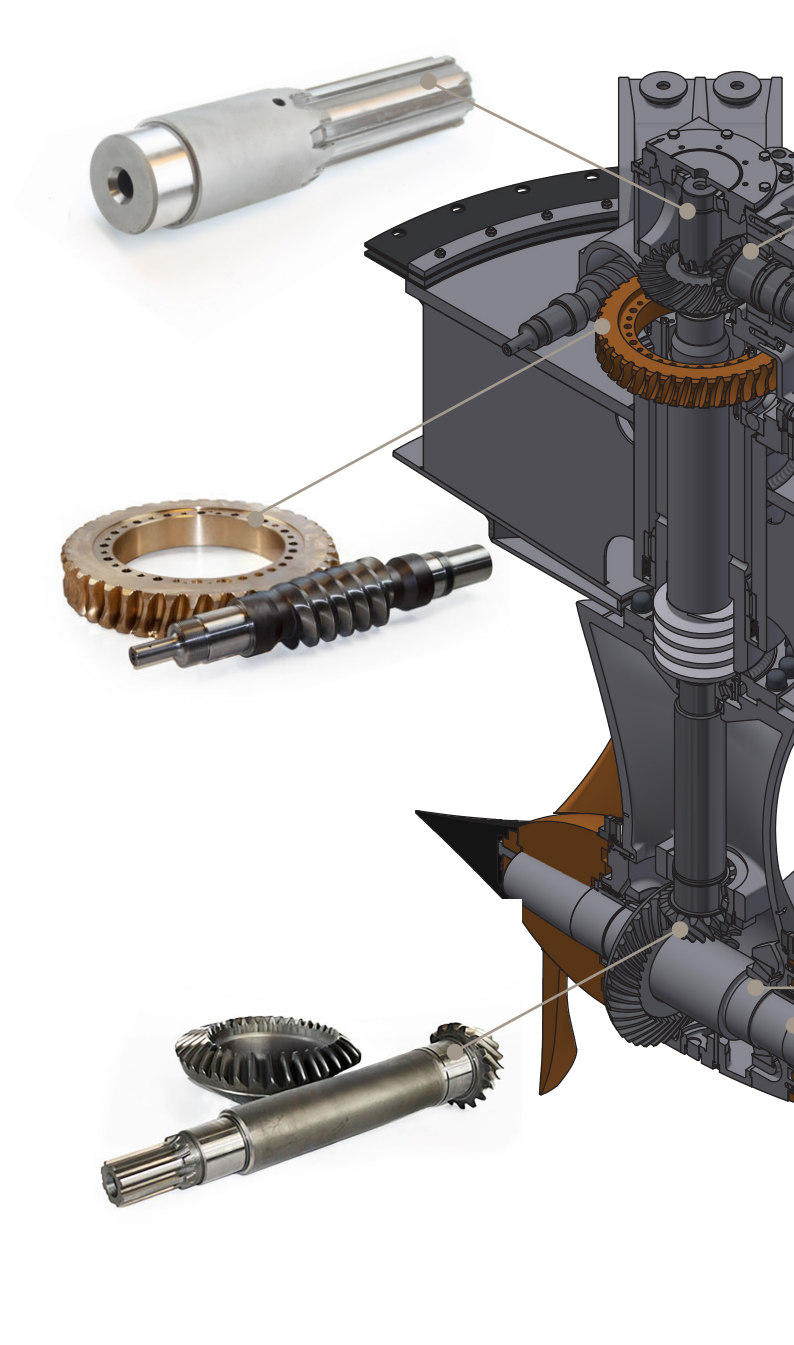
Because high-quality materials form the foundation of reliable performance.

We are a brand-independent company with over 45 years of experience, supplying new parts of equivalent or superior quality to those of the original equipment manufacturer (OEM). This ensures the highest standards of quality and reliability. Our stock includes couplings, gears, bearings, and seals that are available for immediate delivery. By choosing our parts, you extend the service life of your equipment and help prevent unexpected breakdowns.

In addition to new parts, we also supply used and reconditioned marine propulsion components. These parts are carefully inspected and meet our strict quality standards. This cost-effective solution is often available at short notice, while still guaranteeing reliable performance.

## SHIPMENT

Prior to shipment, all goods are prepared with professional care. Bearings and gears are preserved with grease and securely packaged in boxes, crates, or steel foundations. By working for many years with reliable transport partners, we are able to ensure fast and efficient worldwide delivery.



## AVAILABLE DIRECTLY FROM STOCK

Our warehouse contains a wide range of high-quality spare parts for many brands and types of propulsion systems. We strive to keep as many gears, bearings, shafts, liners, seals, etc. in stock as possible. Do not hesitate to call us and ask for that specific part that you need with some urgency. We know better than anyone how important it is to get the right parts available on time.

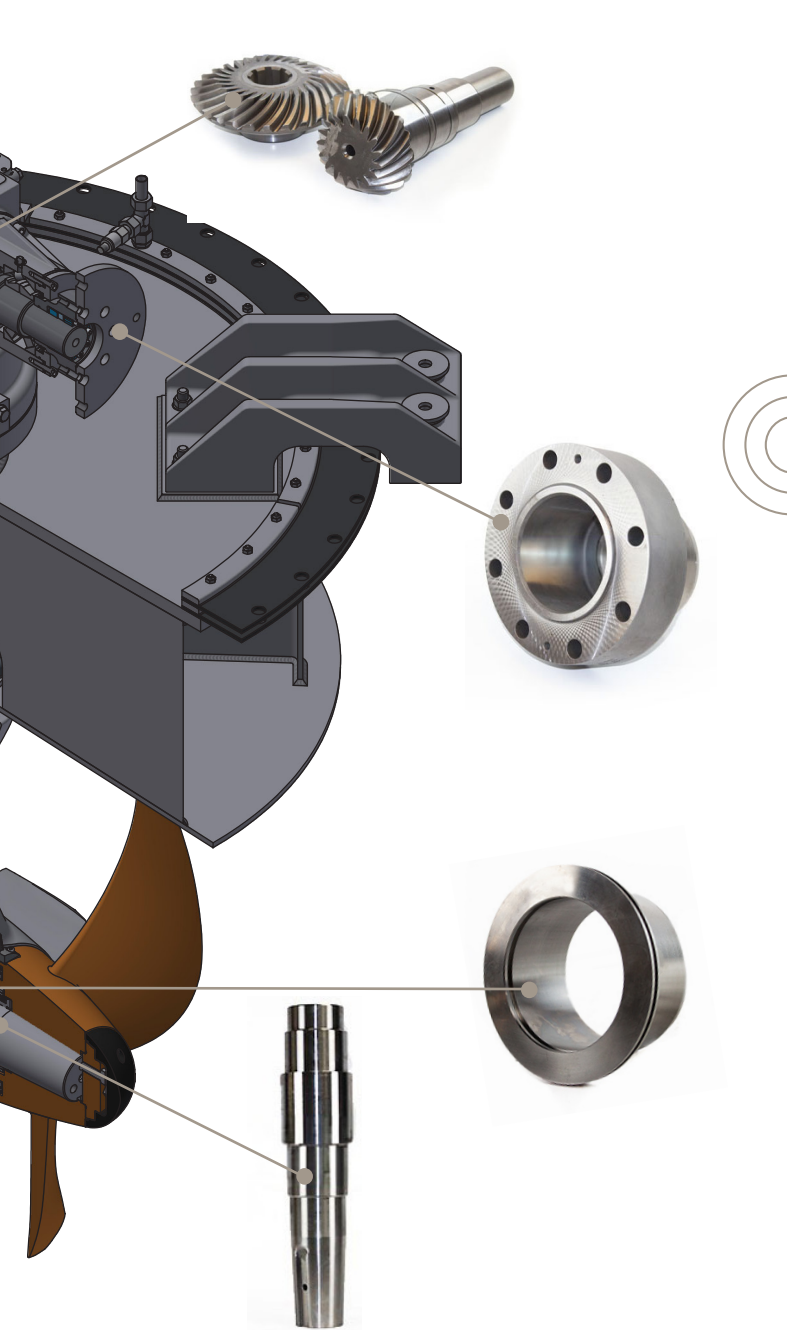
Fast worldwide delivery is available. Custom modifications can be arranged upon request. Just ask us and send an e-mail to [sales@schravenbv.com](mailto:sales@schravenbv.com).



**Liners made in our workshop**



**Brands of shaft seal e.g. Freudenberg, James Walker, Chesterton**



## BRANDS AND TYPES

### SCHOTTEL

#### Model SRP thrusters:

SRP 50, SRP 60, SRP 75, SRP 100, SRP 110, SRP 130, SRP 150, SRP 170, SRP 200, SRP 225, SRP 300, SRP 320, SRP 330, SRP 440, SRP 500, SRP 550 SRP 1012CP, SRP 1212, SRP 1515, SRP 2020

#### Model STP thrusters:

STP 110, STP 200, STP 440

#### Model STT bow thrusters:

STT 50, STT 60, STT 103, STT 110, STT 170, STT 002, STT 003, STT 004

#### Model clutches:

BMK 80, K081, K150, K155, K300, K305, HPTO 244

#### Model SPJ thrusters:

SPJ 22, SPJ 55, SPJ 57, SPJ 82, SPJ 132, SPJ 220

### ROLLS ROYCE / AQUAMASTER / KONGSBERG

#### Model thrusters:

AQM 161, AQM 401, AQM 601, AQM 601CRP, AQM 801, AQM 901, AQM 901CRP / AQM 105CRP

### HRP / ZF

#### Model thrusters:

HRP 65, HRP 110, HRP 240, HRP 300, HRP 400, HRP 500, HRP 2000, HRP 3000, HRP 4000, HRP 5000

### JASTRAM

#### Model thrusters:

RP04, RP06, RP07, BU20, BU40, BU90, BU100

### THRUSTMASTER

#### Model thrusters:

TH1500, TH1250, TT800

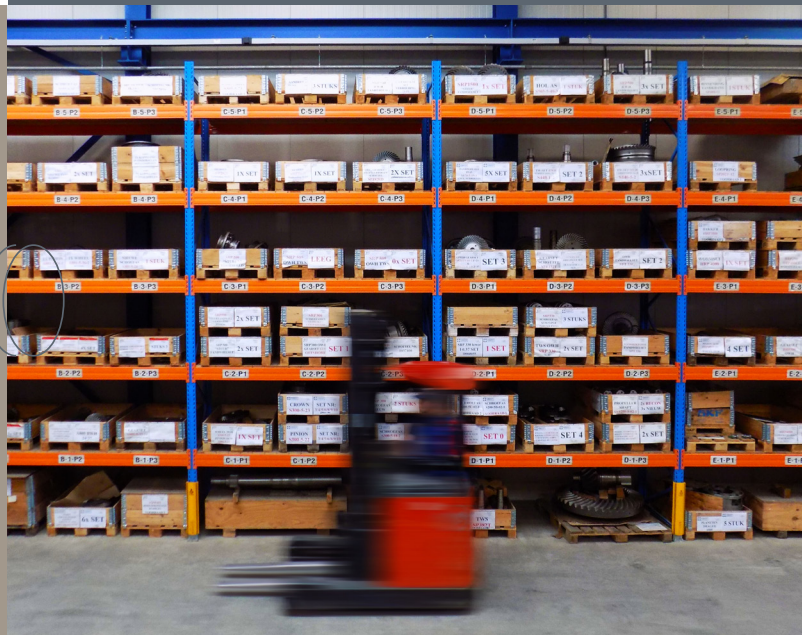
*If your brand or type of thruster is not listed, please feel free to contact us to see if we have options to help you.*

### FIND OUT OUR WEBSITE

A large selection of our spare parts assortment is available online, allowing you to quickly and easily find the components you need.

Visit our website at [www.schravenbv.com](http://www.schravenbv.com) to explore our spare parts offering. For added convenience, you can also use the QR code on the back of this brochure to access the spare parts section directly. In addition to supplying spare parts, Schraven B.V. also provides professional repair services for various types of thrusters. Our experienced technicians ensure fast, reliable, and high-quality repairs to keep your systems operating at their best.

For availability, technical support, or repair inquiries, please feel free to contact us [sales@schravenbv.com](mailto:sales@schravenbv.com).



**Brands of bearings**  
e.g. SKF, INA, Timken



**Gearsets for**  
different brands  
and types





## Thruster program overview

We supply and support a comprehensive range of thrusters and related components from leading brands, including Schottel, Rolls-Royce / Aquamaster, HRP / ZF, Jastram, Thrustmaster, Brunvoll, and Wärtsilä.

### Our program includes:

- SRP, STP, STT and SPJ thrusters
- AQM and HRP series thrusters
- Various azimuth thrusters, bow thrusters and clutches

With a wide selection of models available, we provide reliable solutions for a broad range of marine applications.

If your brand or type is not listed, please feel free to contact us.

We are happy to explore how we can support your requirements.

Kind regards,

Schraven B.V.

Looveer 4A

6851 AJ Huissen

The Netherlands

+31 26 325 23 28

[sales@schravenbv.com](mailto:sales@schravenbv.com)

[www.schravenbv.com](http://www.schravenbv.com)

